



Valve on the left has NW-40 flange. Valve on the right has special 2.75 In. Conflat® flange. Standard practice is for bolt circle to straddle center line.

Small Size

These compact valves will fit even the most crowded systems. The valve body with EP actuator is only 3.75 inches wide by 10.88 inches high (95 x 275 mm).

Vacuum & Pressure

Standard valves seal and open with vacuum on either side.

Long Life

These small stainless steel valves provide straight through high conductance pumping and our usual 250,000 cycles without any need for service.

Fail Safe All Vacuum Research Valves can be installed for fast close on power failure.

- All Stainless Steel Welded Construction
- Straight Through, High Conductance Design
- No Sliding Surfaces to Generate Particles
- 250,000 Cycle Life Before Any Maintenance
- Optional Seal Up To 3 Atmospheres
- Vacuum or Pressure on Either Side
- Electropneumatic or Manual Actuator
- Viton® Bonnet and Gate Seals are Standard
- Metal Bonnet & Kalrez® Gate Seals Available
- All Valves (RoHS) 2002/95/EC Compliant

Bake to 180°C With the standard Viton® O-Ring the valves can be baked to 180° C in open or closed position.

No Leaks All Vacuum Research valves have total leak rates of less than 5×10^{-10} std cc/sec. By total leak we mean that each completed valve is tested in a Helium filled bag.

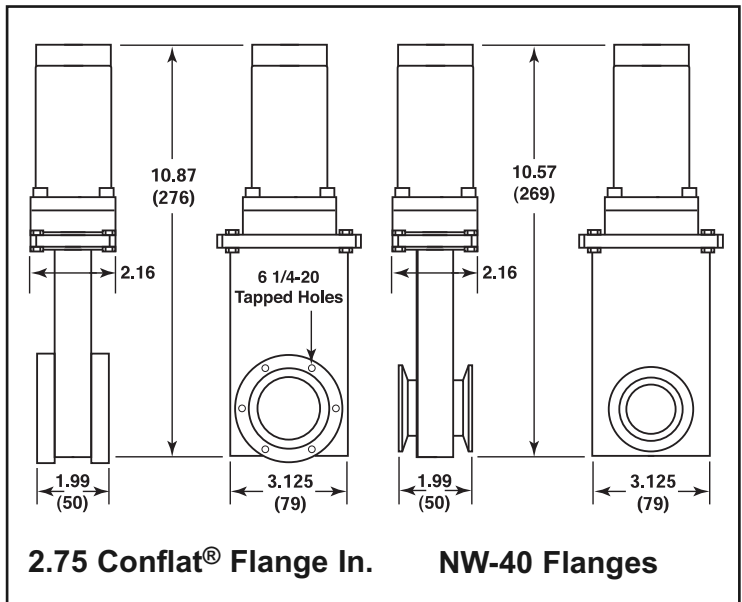
Fail Safe All Vacuum Research Valves can be installed for fast close on power failure.

NW Clamps & Centering Rings Prices on page 31 for clamps from NW-16 to NW-50.

Kalrez® or Silicone Seals Available

Standard Valves use all viton seals. Contact factory for Kalrez® and silicone prices

Small Stainless Steel Gate Valves	Electro-Pneumatic Actuator Add "EP" Suffix plus solenoid voltage
NW-16 Flanges P/N Mini-SS-NW-16-	\$911.
NW-25 Flanges P/N Mini-SS-NW-25-	\$911.
NW-40 Flanges P/N: Mini-SS-NW 40-	\$911.
2.75 Non rotatable Flanges P/N: Mini-SS-275-ROT-	\$900.
2.75 Rotatable Conflat® Flanges P/N: Mini-SS-275-ROT-	\$926.



Conflat® is a registered trademark of Varian Associates. Kalrez® and Viton® are registered trademarks of Dupont Corp.

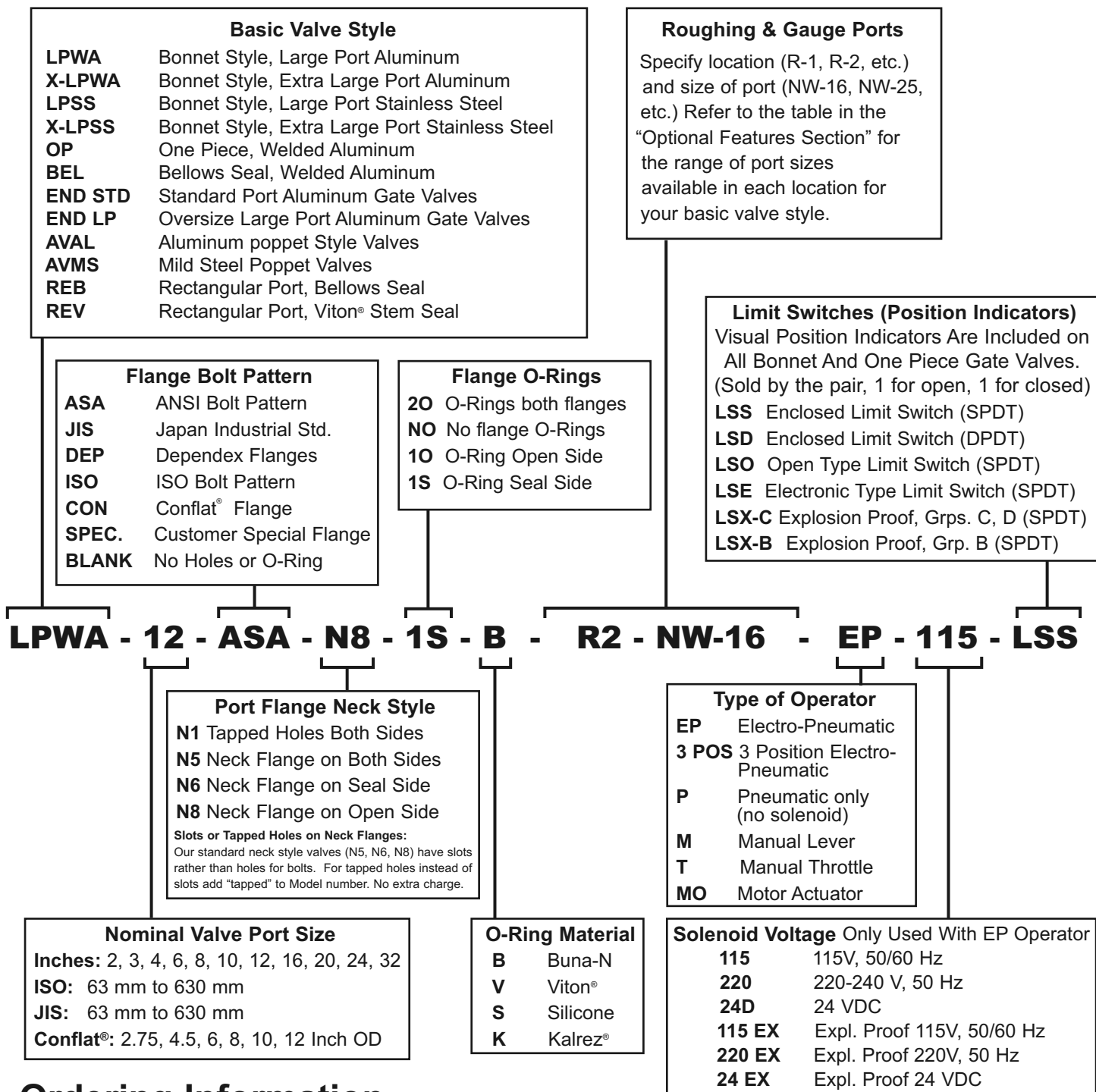


Model Numbering System

VRC Valves are
Manufactured in
the USA.



Vacuum Research valves are available with dozens of options to allow you to select exactly the features you need for your vacuum system. The model number system illustrated below will accurately describe most valves, but if you have any questions about the best way to specify what you need, just call or fax our customer service department and we will be happy to help you. All Valves (RoHS) 2002/95/EC Compliant.



Ordering Information



Call our toll free number (800) 426-9340, or (412) 261-7630 to place orders, or for customer service. Our FAX number is (412) 261-7220. Address orders by mail to Vacuum Research Corporation,



2419 Smallman Street, Pittsburgh, PA 15222 USA. Prices in this catalog are FOB factory. CIF or C&F prices available. Contact factory for pro forma invoice or price quotation. Terms are Net 30 Days.



Kalrez® and Viton® are registered trademarks of Dupont Corp. • Conflat® is a registered trademark of Varian Associates • Throttlemaster™ is a registered trademark of Vacuum Research Corporation