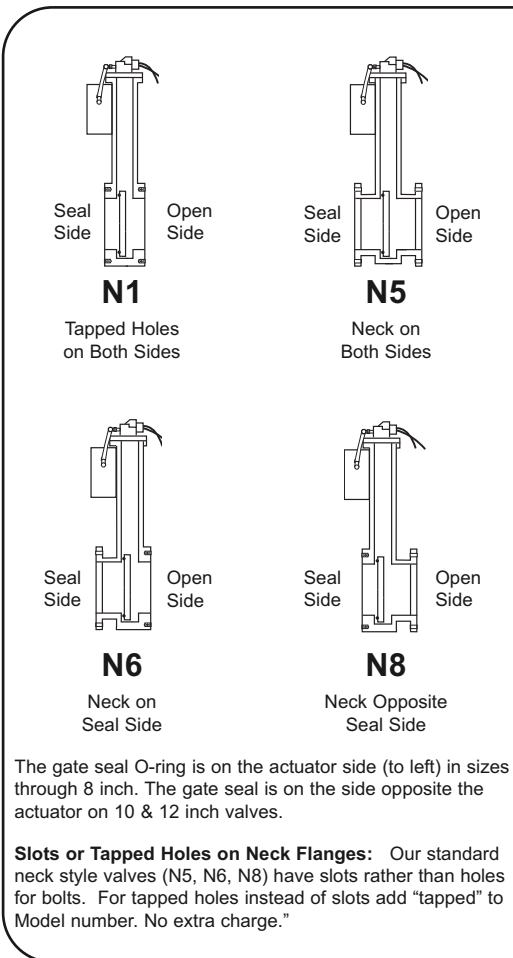




- 250,000 Cycle Rotary Shaft Seal
- Million Cycle Valves Also Available
- All Welded 6061 Aluminum Body
- Low Temperature Bake Out, 200 °C
- High Conductance Large Port Design
- Helium Leak Less Than 5 X 10⁻¹⁰ scc/sec
- Operate Manually If Air or Power Fail
- Fail Safe Design, Close On Power Loss
- Vacuum & Pressure; Optional Seal to 3 ATM.
- All Valves (RoHS) 2002/95/EC Compliant

ORDERING INFORMATION

Model Number: Refer to page 2 for instructions on how to specify the features you need.
Electric Motor Actuators: Any Vacuum Research valve can be supplied with a high torque electric motor actuator. Refer to Electric Motor Actuator page in the Accessories & Parts section.
Special Features: Refer to pages 44 - 46 for specifications for roughing and gauge ports, position indicators & other special features.
Viton® or Kalrez® or Silicone O-Rings: Our standard Valves use a Viton® O-Ring for the gate seal and Buna-N O-Rings for all other locations. You may specify Viton® (or other materials) throughout the valve with a "V", "S", or "K" in the model number. For Viton® add the following to the price. (For Silicone or Kalrez® contact the factory for prices.)
 2 or 3 in. valves \$50. 6 inch valves \$94. 10 inch valves . . . \$196.
 4 inch valves \$76. 8 inch valves \$150. 12 inch valves . . . \$252.



Nominal ANSI (ASA) Flange Size (Port Dia. in Paren.)	With Electro-Pneumatic Operator "EP" Suffix		With Manual Operator "M" Suffix	
	Model & Neck Style	Price	Model & Neck Style	Price
2 inch ANSI (ASA) (3 3/8" Port)	OP-2-ANSI-N1-EP	\$1464.	OP-2-ANSI-N1-M	\$1302.
	OP-2-ANSI-N5-EP	\$1627.	OP-2-ANSI-N5-M	\$1462.
	OP-2-ANSI-N6-EP	\$1552.	OP-2-ANSI-N6-M	\$1376.
	OP-2-ANSI-N8-EP	\$1552.	OP-2-ANSI-N8-M	\$1376.
3 inch ANSI (ASA) (3 3/8" Port)	OP-3-ANSI-N1-EP	\$1812.	OP-3-ANSI-N1-M	\$1487.
	OP-3-ANSI-N5-EP	\$1761.	OP-3-ANSI-N5-M	\$1646.
	OP-3-ANSI-N6-EP	\$1738.	OP-3-ANSI-N6-M	\$1510.
	OP-3-ANSI-N8-EP	\$1738.	OP-3-ANSI-N8-M	\$1510.
4 inch ANSI (ASA) (5 3/8" Port)	OP-4-ANSI-N1-EP	\$1822.	OP-4-ANSI-N1-M	\$1646.
	OP-4-ANSI-N5-EP	\$1977.	OP-4-ANSI-N5-M	\$1803.
	OP-4-ANSI-N6-EP	\$1895.	OP-4-ANSI-N6-M	\$1724.
	OP-4-ANSI-N8-EP	\$1895.	OP-4-ANSI-N8-M	\$1724.
6 inch ANSI (ASA) (7 1/8" Port)	OP-6-ANSI-N1-EP	\$2435.	OP-6-ANSI-N1-M	\$2219.
	OP-6-ANSI-N5-EP	\$2628.	OP-6-ANSI-N5-M	\$2411.
	OP-6-ANSI-N6-EP	\$2547.	OP-6-ANSI-N6-M	\$2306.
	OP-6-ANSI-N8-EP	\$2547.	OP-6-ANSI-N8-M	\$2306.
8 inch ANSI (ASA) (8" Port)	OP-8-ANSI-N1-EP	\$3161.	OP-8-ANSI-N1-M	\$2943.
	OP-8-ANSI-N5-EP	\$3255.	OP-8-ANSI-N5-M	\$3036.
	OP-8-ANSI-N6-EP	\$3210.	OP-8-ANSI-N6-M	\$2994.
	OP-8-ANSI-N8-EP	\$3210.	OP-8-ANSI-N8-M	\$2994.
10 inch ANSI (ASA) (11 5/8" Port)	OP-10-ANSI-N1-EP	\$4011.	OP-10-ANSI-N1-M	\$3725.
	OP-10-ANSI-N5-EP	\$4322.	OP-10-ANSI-N5-M	\$4059.
	OP-10-ANSI-N6-EP	\$4165.	OP-10-ANSI-N6-M	\$3905.
	OP-10-ANSI-N8-EP	\$4165.	OP-10-ANSI-N8-M	\$3905.
12 inch ANSI (ASA) (12" Port)	OP-12-ANSI-N1-EP	\$4953.	OP-12-ANSI-N1-M	\$4668.
	OP-12-ANSI-N5-EP	\$5263.	OP-12-ANSI-N5-M	\$5387.
	OP-12-ANSI-N6-EP	\$5107.	OP-12-ANSI-N6-M	\$4823.
	OP-12-ANSI-N8-EP	\$5107.	OP-12-ANSI-N8-M	\$4823.

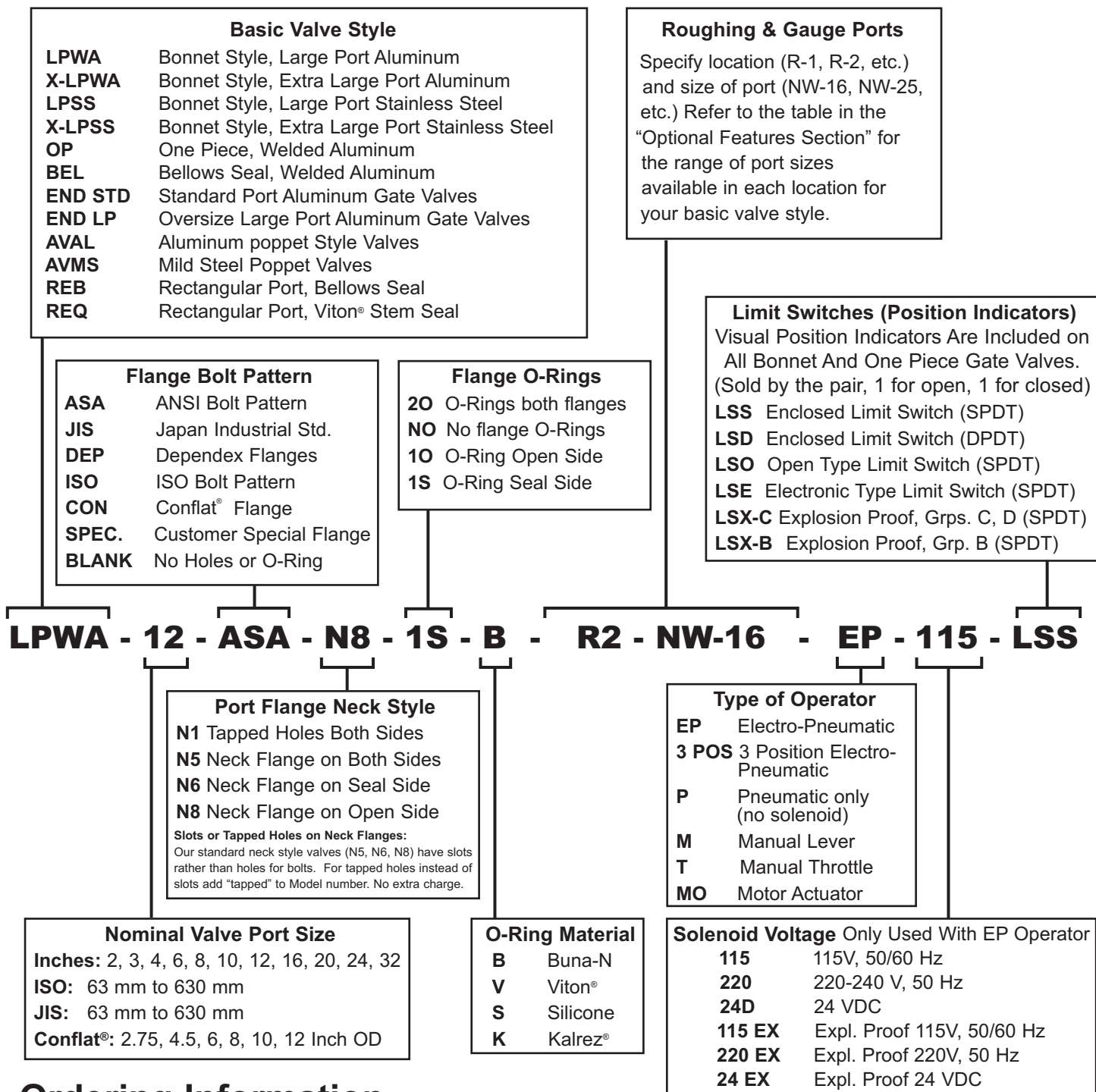


Model Numbering System

VRC Valves are
Manufactured in
the USA.



Vacuum Research valves are available with dozens of options to allow you to select exactly the features you need for your vacuum system. The model number system illustrated below will accurately describe most valves, but if you have any questions about the best way to specify what you need, just call or fax our customer service department and we will be happy to help you. All Valves (RoHS) 2002/95/EC Compliant.



Ordering Information



Call our toll free number (800) 426-9340, or (412) 261-7630 to place orders, or for customer service. Our FAX number is (412) 261-7220. Address orders by mail to Vacuum Research Corporation,



2419 Smallman Street, Pittsburgh, PA 15222 USA. Prices in this catalog are FOB factory. CIF or C&F prices available. Contact factory for pro forma invoice or price quotation. Terms are Net 30 Days.



Kalrez® and Viton® are registered trademarks of Dupont Corp. • Conflat® is a registered trademark of Varian Associates • Throttlemaster™ is a registered trademark of Vacuum Research Corporation