



The instrument on the left shows the optional digital display. All models provide both 0 - 10 V and 4 - 20 mA linear outputs for your PLC.

Specifications For Active Pirani

Pressure Range: 1 to 2000 mTorr, 1 to 2000 Microns
.001 to 2.000 mbar, 0.1 to 200.0 Pa

Power & Analog Output Connector: RJ-45 Female.

Power: 12 to 35 VDC, less than 100 mA.

Analog Outputs: Linear 0 to 10 VDC and 4 - 20 mA.

Accuracy: Better than 5% of value or ± 3 mTorr, whichever is larger.

Response Time: 0.3 second time constant.

Optional Display: 3 1/2 Digit LCD.

Connection to System: Standard gauge has a 1/8 NPT male thread or fit into quick connects sized for 1/8 inch pipe (0.405" dia.) NW, VCR and Mini Conflat® available.

Set Point Range: Full Scale, 1 to 2000 mTorr; Repeatability: ± 2 mTorr.

Temperature Effects: Changes in ambient temperature between 0 °C and 50 °C change the reading less than 0.2 mT per °C at 50 mT; less than 4 mT per °C at 900 mT.

Bakeout Temperature: Active Pirani tube can be baked to 50 °C (120 °F) in air or vacuum.

Mounting: Flange for system connection supports the gauge.

Net Weight: 6 Ounces (180 grams).

Shipping Weight: Approximately one pound (.45 kg).

Ordering Information, 12 to 35 VDC Power Required

mTorr is the standard but there is no charge for calibration in microns, mbar or Pa. Add micron, mbar, or Pa to P/N.

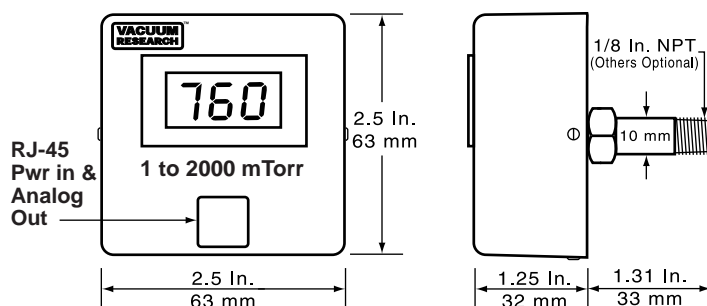
Active Pirani Transmitter 1-2000 mTorr, No display
plus 4-20 mA and 0-10 VDC outputs

- With 1/8 Inch NPT Male Thread, P/N: 902376\$184.
- With 1/4 Inch 45° SAE Flare, Male, P/N: 902374\$223.
- With NW-16 Flange, P/N:902377 • NW-25 Flange, P/N: 902378\$223.
- With 1.33 Inch Conflat® Flange, P/N: 902379\$223.
- With VCR-4 FEM, P/N: 902380\$258.
- With 15 mm O. D. Tube, P/N: 902381\$215.
- With 1/2 Inch O. D. Tube, P/N: 902382\$223.

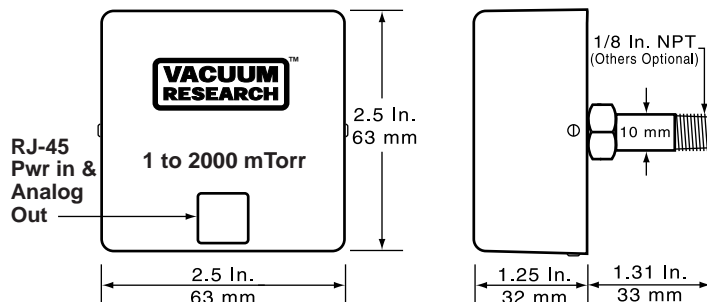
Adjustable Set Point: Available on all models with or without display.
Add suffix "SP" to P/N\$70.

Cable (Not Included in Gauge Price): RJ-45 male one end. Stripped and tinned conductors on the other end. Lengths up to 500 ft. (150 m) available. P/N: V801318 - Length in feet\$10. plus \$1.00 per foot

- Sensor and Gauge in One Compact Package
- 12 to 35 Volt DC Power; Less Than 100 mA
- Linear Outputs for PLC or Data System
- 0 to 10 VDC and 4-20 mA Standard Outputs
- Optional Outputs to Match Any T/C Gauge
- Optional 3 1/2 Digit Liquid Crystal Display
- Optional Adjustable Solid State Relay
- Stem, Flanges, Enclosure All Stainless Steel



1 to 2000 mTorr Active Pirani with The Optional Digital Display
Also includes both 4-20 mA & 0-10 VDC outputs for PLC



Standard 1 to 2000 mTorr Active Pirani no display.
Includes Both 4-20 mA and 0 to 10 VDC Outputs for PLC

Buy Now! Go to www.vacuumresearch.com to order online

Active Pirani Indicator & Transmitter 1-2000 mTorr, 3 1/2 digit display
plus 4-20 mA and 0-10 VDC output

- With 1/8 Inch NPT Male Thread, P/N: 902383\$246.
- With 1/4 Inch 45° SAE Flare, Male, P/N: 902373\$285.
- With NW-16 Flange, P/N: 902384 • NW-25 Flange, P/N: 902385\$285.
- With 1.33 Inch Conflat® Flange, P/N: 902386\$285.
- With VCR-4 FEM, P/N: 902387\$320.
- With 15 mm O. D. Tube, P/N: 902388\$285.
- With 1/2 Inch O. D. Tube, P/N: 902389\$246.

Power Supply 100 to 240 V, 50-60 Hz input, 15 VDC @ 1.0 A output.
Wallmount style with adapter plugs for US, UK, Europe, Australia.
P/N: V104124\$52. each

RJ-45 Connector with screw terminals for 24V power in and 4-20 mA, 0-10VDC outputs. P/N: V801324\$26. each

Cable 5 Feet Long with RJ-45 male on both ends.
P/N: V801318\$8. each